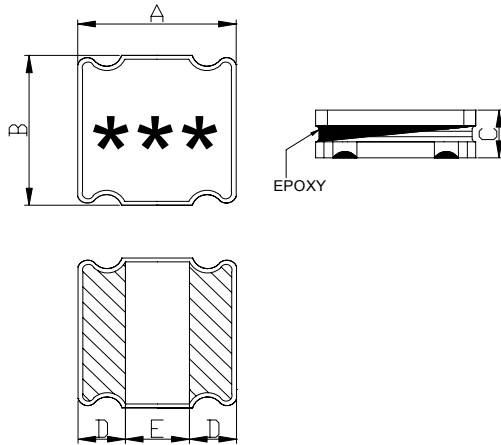


SPECIFICATION FOR APPROVAL

NR3015

Rev.No.	A
Page	1

I . CONFIGURATION&DIMENSIONS:



A:3.0±0.2 mm

B:3.0±0.2 mm

C:1.5max mm

D:0.8±0.2 mm

E:1.5±0.2 mm

PART NO.	Ls	DCR (mΩ)	Isat	Irms	SRF (MHz)	TEST FREQ. (Hz)
	(uH)0A	±30%	(A)	(A)	min	
<input type="checkbox"/> NR3015C-1R0N-R-S	1.0	30	2.32	2.35	150	100K/1V
<input type="checkbox"/> NR3015C-1R2N-R-S	1.2	40	2.21	1.95	110	100K/1V
<input type="checkbox"/> NR3015C-1R5N-R-S	1.5	50	2.30	1.70	100	100K/1V
<input type="checkbox"/> NR3015C-1R8N-R-S	1.8	50	1.75	1.70	92	100K/1V
<input type="checkbox"/> NR3015C-2R2N-R-S	2.2	60	1.60	1.60	86	100K/1V
<input type="checkbox"/> NR3015C-2R7N-R-S	2.7	75	1.52	1.43	64	100K/1V
<input type="checkbox"/> NR3015C-3R3M-R-S	3.3	80	1.32	1.36	68	100K/1V
<input type="checkbox"/> NR3015C-3R6M-R-S	3.6	105	1.28	1.20	59	100K/1V
<input type="checkbox"/> NR3015C-4R3M-R-S	4.3	115	1.20	1.14	53	100K/1V
<input type="checkbox"/> NR3015C-4R7M-R-S	4.7	125	1.10	1.09	46	100K/1V
<input type="checkbox"/> NR3015C-5R1M-R-S	5.1	133	1.00	1.05	49	100K/1V
<input type="checkbox"/> NR3015C-6R2M-R-S	6.2	195	1.00	0.86	46	100K/1V
<input type="checkbox"/> NR3015C-6R8M-R-S	6.8	200	0.85	0.85	39	100K/1V
<input type="checkbox"/> NR3015C-100M-R-S	10	250	0.72	0.77	41	100K/1V
<input type="checkbox"/> NR3015C-120M-R-S	12	320	0.70	0.68	32	100K/1V
<input type="checkbox"/> NR3015C-150M-R-S	15	350	0.66	0.65	30	100K/1V
<input type="checkbox"/> NR3015C-220M-R-S	22	470	0.52	0.57	23	100K/1V